

INSTALLATION

All installation must be carried out in accordance with BS 8213-4.

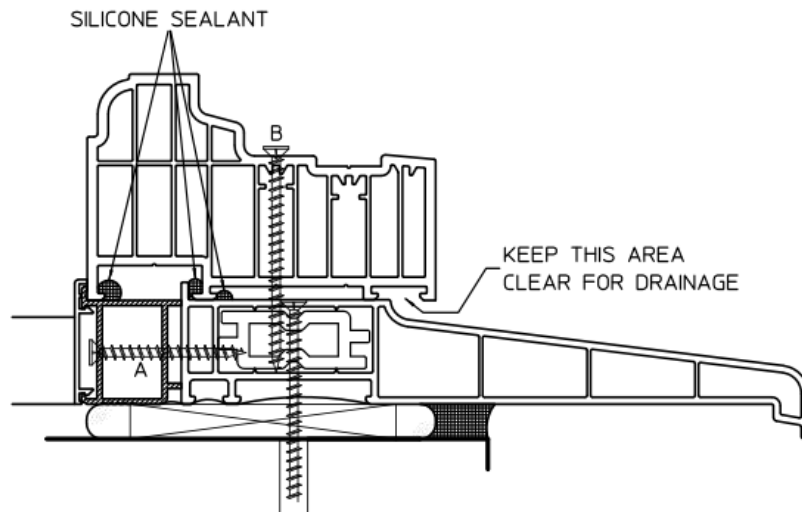
This standard gives advice on-

- Frame/masonry opening clearances
- Frame position within aperture
- Fixing types
- Frame packing
- Fixing centres/positions
- Foam fixing
- Backing rods/sealing types etc.

A typical cill assembly is shown below. For alternative assemblies see the Profile Assemblies section of this Technical Manual. Fix cill to structure first, ensuring it is straight and level. Always seal under the heads of all fixing screws before fully tightening.

Frames can either be direct fixed or in new build applications with a fixing lug (FL32). If direct fixing, take care not to distort frames by over-tightening of fixing screws.

All coupled frames must be sealed to couplers using low modulus, neutral cure silicone. Use fixings shown in Profile Assemblies section of this Technical Man-



Finishing Off

After installation check the operation of all opening vents and locks/handles. If any render or plaster has come into contact with the exposed finish of the frame, clean off immediately with plenty of warm soapy water. Do not rub it, or particles of grit etc. may scratch the finish.

Frames should only be cleaned with warm soapy water or Cosmofen 20 as recommended by RENOLIT.

