

PAGE OF

QUOTE ORDER

Profile Colour	Ext.	Int.
White (Smooth)		
White Ash*¥		
Anth. Grey 7016		
Golden Oak		
Rosewood		
Irish Oak*		
Cream (Smooth)¥		

Profile Colour	Ext.
Anth. Grey 7016 (Smooth)†‡	
Slate Grey 7015†‡	
Slate Grey 7015 (Smooth)†‡	
Agate Grey‡	
Black‡	
Chartwell Green*‡	
Cream White*‡	

Hinge Colour
White
Black
Brown
Chrome
Gold
Satin Silver
Oak

Company Name:

Company Ref.

Company Telephone:

Company Email:

Date Ordered:

Delivery Date Required:

Project Name:

Project Address:

Glazed

Unglazed

Ovolo Profile

Chamfered Profile

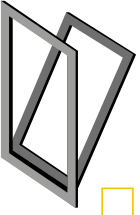
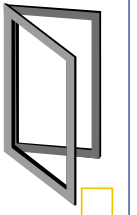
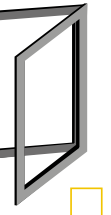
Ovolo Bead

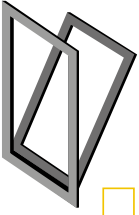
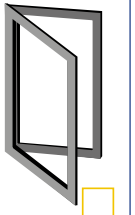
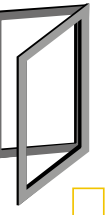
Chamfered Bead

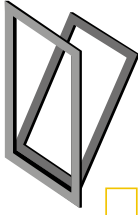
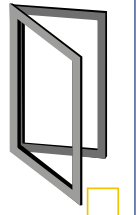
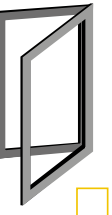
Standard Spec: EN12101-2 certified, Open Out (Only), 75mm frame, door sash, 28mm glazing, ovolo bead, hidden drainage, fully welded, 3x Trojan Patriot hinges, face-fix actuator fitted, actuator cable exit on right hand side viewed from inside, RAL 9006 Actuator finish. GT Securi-Clip Glazing Clips.

Item No.	Location	O/A Sizes		Cill Type (100mm Horns as Standard)	Drainage		Reveal Depth (mm)	Glass Type^ (28mm Glazing Thickness Only, Black Warm Edge Spacer Bar as Standard)	Ventilation (Specify Size) 50mm Extender	Required Aerodynamic Free Area (m²)	Qty.
		Width	Height		Con	Face					
W1											
W2											
W3											

SKETCH & NOTES (Please add any additional requirements here e.g. Frame Extenders, Couplers):

W1		
Bottom Hung	Side Hung	Side Hung
Open Out	(Left Hung, VFO) Open Out	(Right Hung, VFO) Open Out
		

W2		
Bottom Hung	Side Hung	Side Hung
Open Out	(Left Hung, VFO) Open Out	(Right Hung, VFO) Open Out
		

W3		
Bottom Hung	Side Hung	Side Hung
Open Out	(Left Hung, VFO) Open Out	(Right Hung, VFO) Open Out
		

Min./Max. Outer Frame Dimensions				
Style	Max. Width (mm)	Max. Height (mm)	Min. Width (mm)	Min. Height (mm)
Side Hung	1200mm	1500mm	500mm	785mm
Bottom Hung	1500mm	1200mm	785mm	500mm

The actuators alone will not act as window restrictors. The customer should consider the installation of suitable restrictors relative to the orientation of the vent, so that stability is provided should the actuator be removed, or the vent is subjected to high external forces whilst in the open position. The restrictor should be set such that the actuator can open to its full stroke without being impeded ie. 50mm past the actuator stroke length. If the vent is not fitted with a restrictor and subsequent damage occurs due to the lack of restriction Listers will not be liable for any replacement actuators or damage to the vent.

Key: D = Dummy F = Fire Hinge R = Restrictor hinge T = Toughened glass TV = Trickle vent L = Letter plate * = Ovolo Only † = Chamfered Only ‡ = External Only ¥ = Both Sides Only
NOTE: ^Listers are unable to supply infill panels with AOVs. If customers choose to source these elsewhere, please note that Infill panels must have minimum classification certificates for combustibility and achieve Class A2,S1-d0 under EN13501-1.