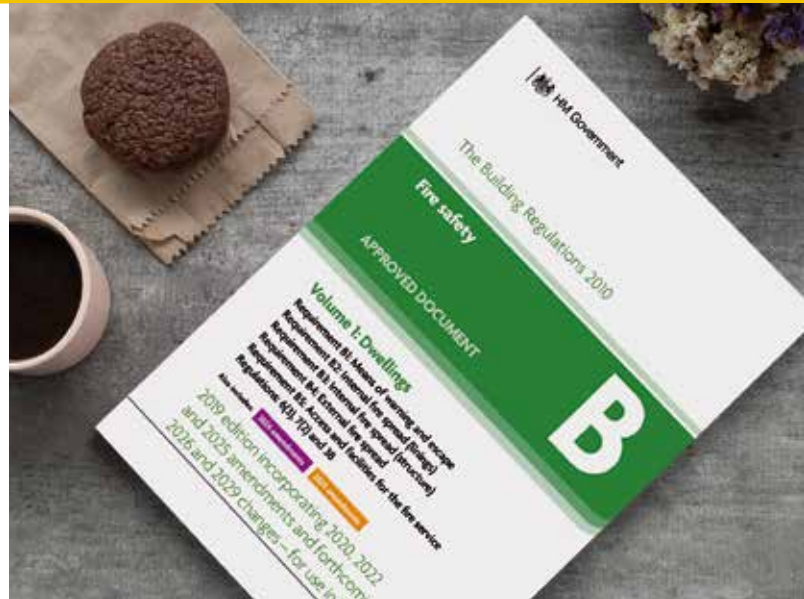


Eurocell AOV Windows – GT Securi-Clip Guide

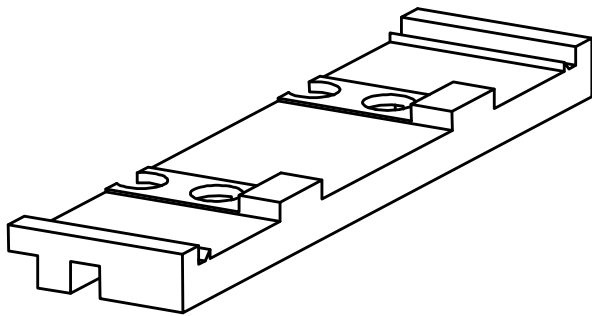
Introduction

Please see below extract from the Eurocell AOV Manual, which explains the correct use of the GT Securi-Clip glazing clips/packers. Failure to follow the guidance in this documentation could result in the product failing to comply with EN12101-2:2003, for which Listers will not be held liable.

Please see below extract from the Eurocell AOV Manual, which explains the correct use of the GT Securi-Clip glazing clips/packers.



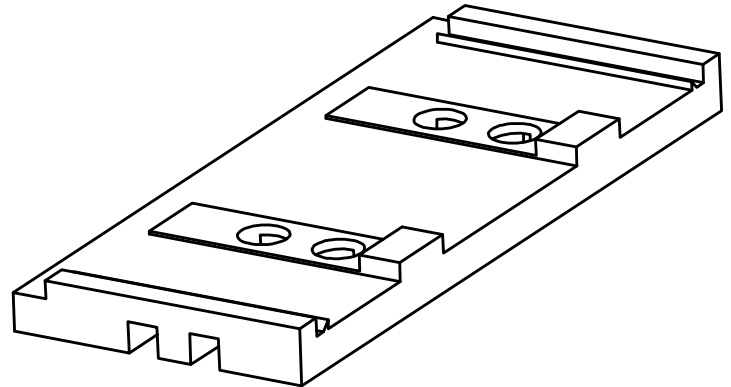
GT025 Packer



For Standard 28mm Units Use;
 Base: SB000
 Packer: GT025
 Clip: SC125

For Laminated 28mm Units Use;
 Base: SB000
 Packer: GT025
 Clip: SC104

GT028 Packer



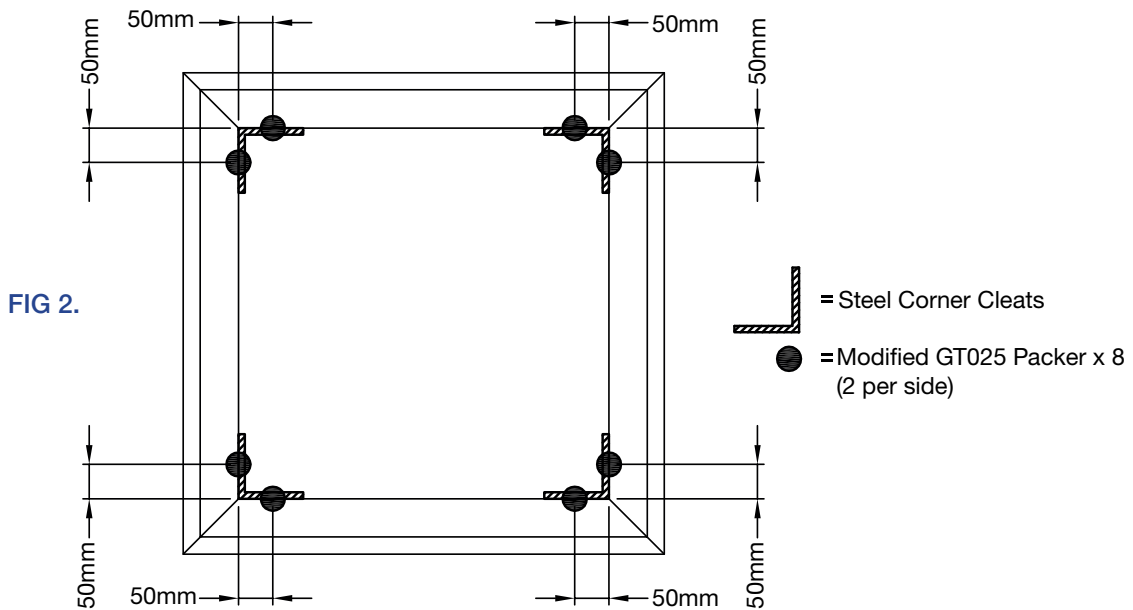
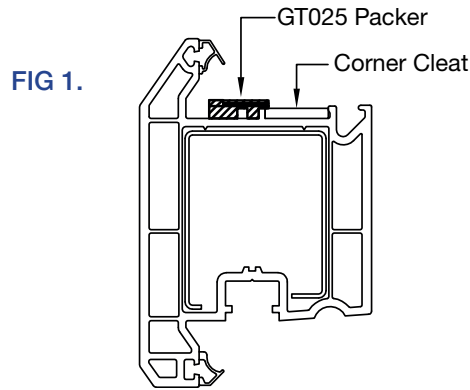
For Standard 28mm Units Use;
 Base: SB000
 Packer: GT025
 Clip: SC125

For Laminated 28mm Units Use;
 Base: SB000
 Packer: GT025
 Clip: SC104



GT025 Packer

The diagrams below show where the 8 GT025 packers are to be positioned. This applies to every window regardless of size or style (Top/ Side Hung). FIG 1 shows where the packer sits in the profile and FIG 2 shows where to position them.



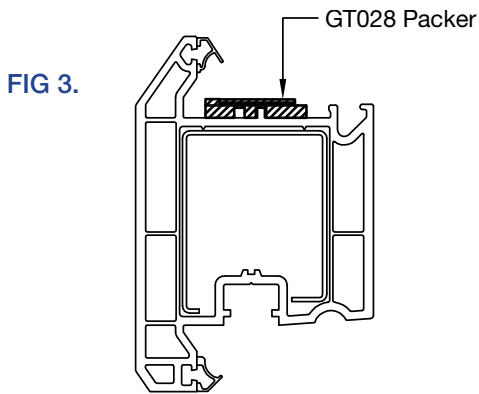
NOTE: The hinges and any reference to opening style has been removed on the diagram above as the positioning is the same regardless.

Depending on the size of the window, additional GT028 packers will be required. Details of this can be found on the next page.

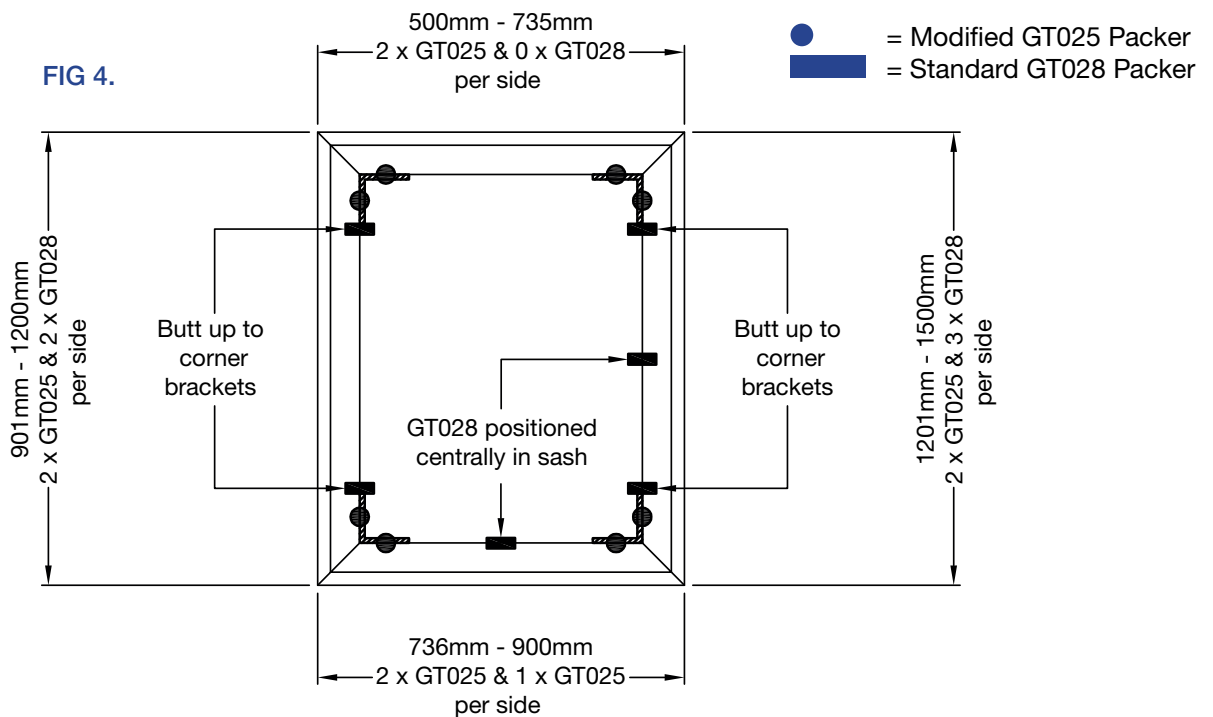


GT028 Packer

Details on how many packers are needed are detailed below. FIG 3 shows where the GT028 sits in the profile, the table shows how many packer/ clips are required depending on window size and FIG 4 shows one window showing 0, 1, 2, 3 or 4 GT028 packers and where to position them.



O/A Frame Size	GT025 Packers required per side	GT028 Packers required per side
500mm - 735mm	2	0
736mm - 900mm	2	1
901mm - 1200mm	2	2
1201mm - 1500mm	2	3

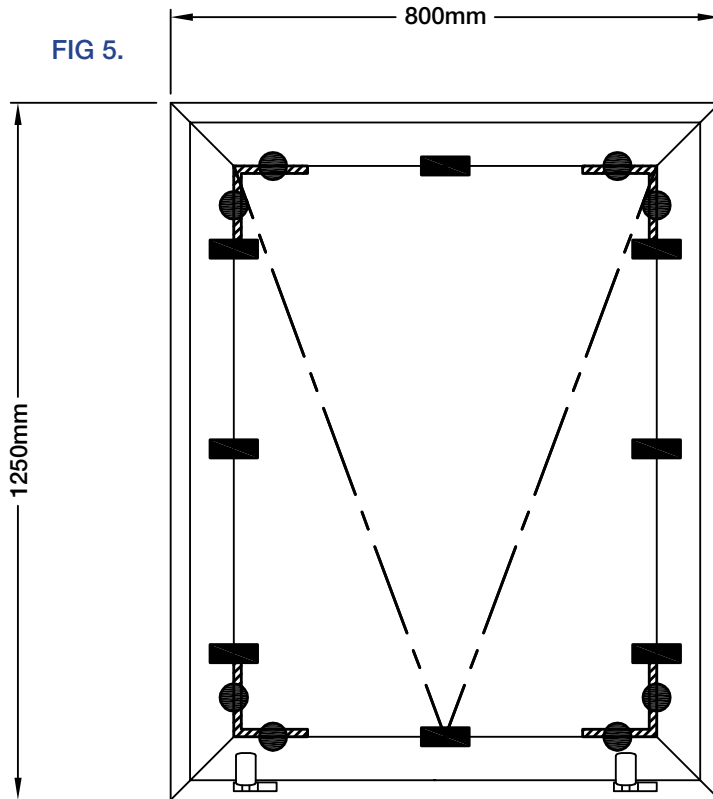


Please go to the next page for an example.



Example

Below FIG 5 is an example window (shown as bottom hung but would also apply to side hung) showing how many clips are needed.



- = GT025 Packer
- = GT028 Packer

Widths

- 2 x GT025 per side
- 1 x GT028 per side

Heights

- 2 x GT025 per side
- 3 x GT028 per side

Total number needed per window

- 8 x GT025 per window
- 8 x GT028 per window

